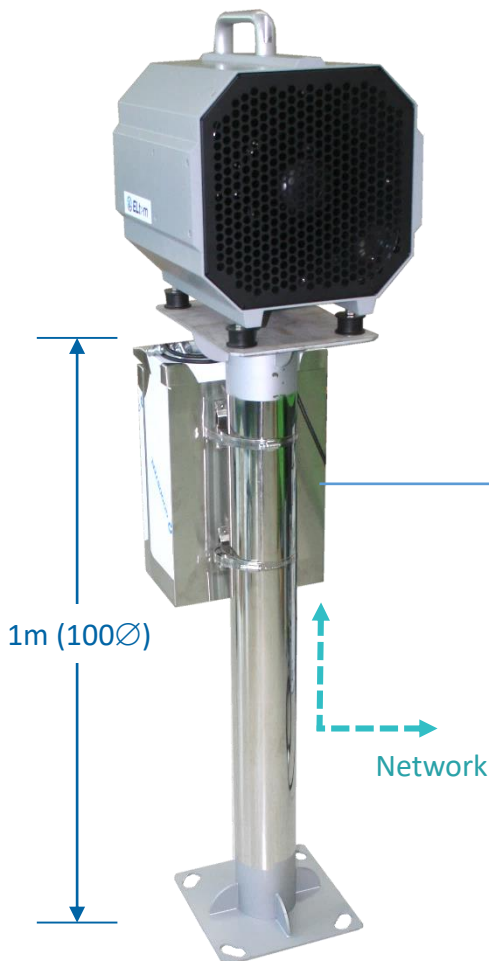


What is a Safety Public Address System?

These products are Long Range Acoustic Hailing Devices for Safety Public Address. Eltem's unique and innovative technology allows clear announcement and warning broadcast to be transmitted to long distances (1km) for traffic control and accident prevention in highway construction and accident areas. There are various products depending on utilization.

FEATURES

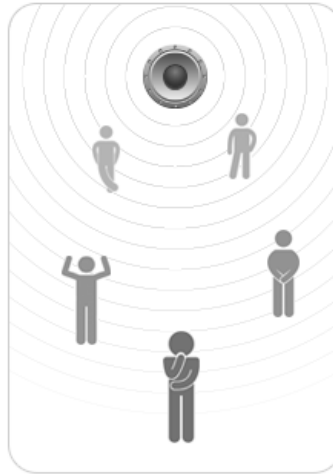
- It is for fixed installation, and its body is the same as the 250V model.
- Power : 24VDC/100 ~ 230VAC (selectable)
- Waterproof Case, Not Support microphone.
- All functions can be controlled by network or serial interface.
- Control Box is equipped with a circuit breaker and a surge protector.



Housing Size : 250 × 350 × 150mm
(for Outdoor)

Main Features of Acoustic Hailing Device

- Since it broadcasts with directivity and high power, it can transmit highly clear sounds to a long distant (1 ~ 3km).
- With maximum output above 142dB, it can get over the noise of the surrounding area and can provide large and clear communication and warning signals to the inside of vehicles, ships or buildings, overcoming the limitation of the existing broadcasting system (P.A. System).
- It is possible to broadcast using a sound source and a microphone.

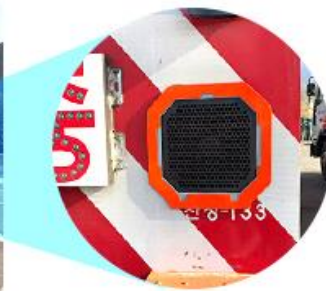


General Loudspeaker

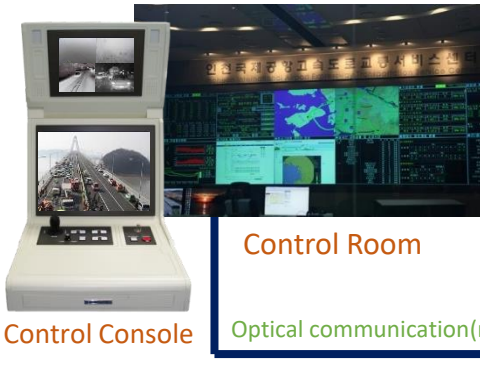


Acoustic Hailing Device

PROPA-250V Installation Operation and Delivery Example



Applications of Acoustic Hailing Devices



Emergency Warning & Fire Rescue

Fire Evacuation Broadcast, Public Place Guide and Evacuation Broadcast, Valley Evacuation Broadcast due to heavy rain, and Coastal Accident Prevention & Evacuation Broadcast



Law Enforcement, Homeland & Border Security

Illegal Activity Warning, Beach Announcement, Access Control Broadcast, Crowd Control

Military, Maritime, Security & Protection

Military Training control, Anti-Piracy, Major Facility Intruder Warning, Preserving Wildlife & Protecting Assets



Traffic Accident Broadcasting, Traffic Control

Traffic Control, Prevention of Secondary Accident, Traffic Accidents and Foggy Broadcast, Emergency Evacuation Broadcast.

Installation in Ships, Vehicles and Drones

Mounting on Warships, Ships, Fire Trucks, Ambulances, Police Cars, Helicopters, Drones

